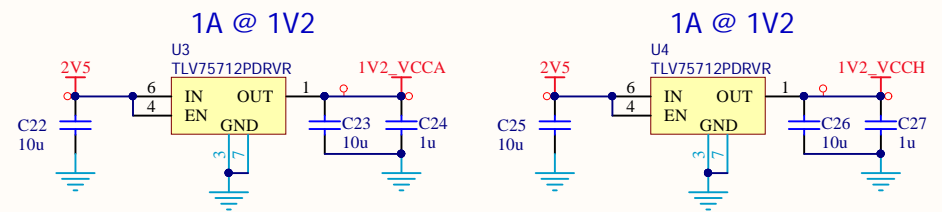
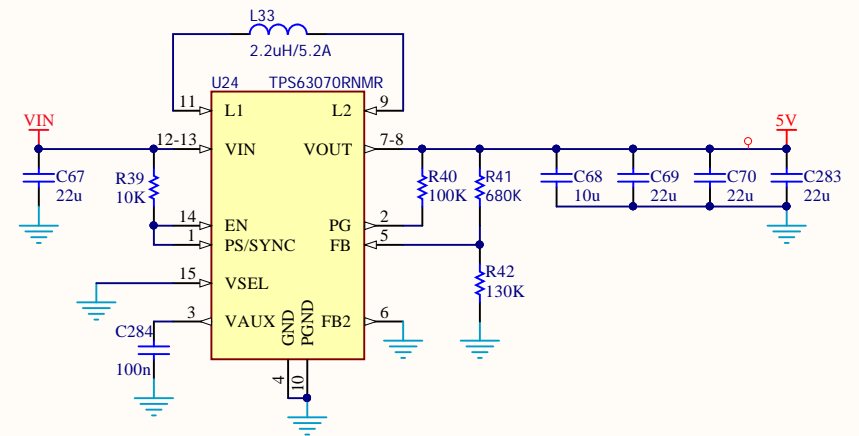
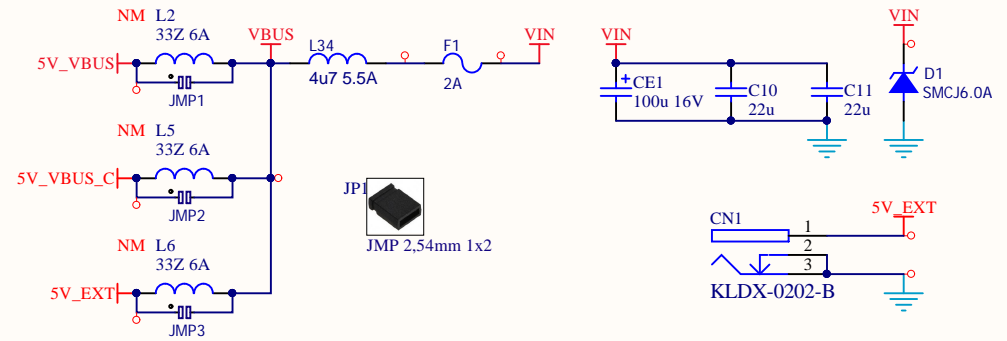
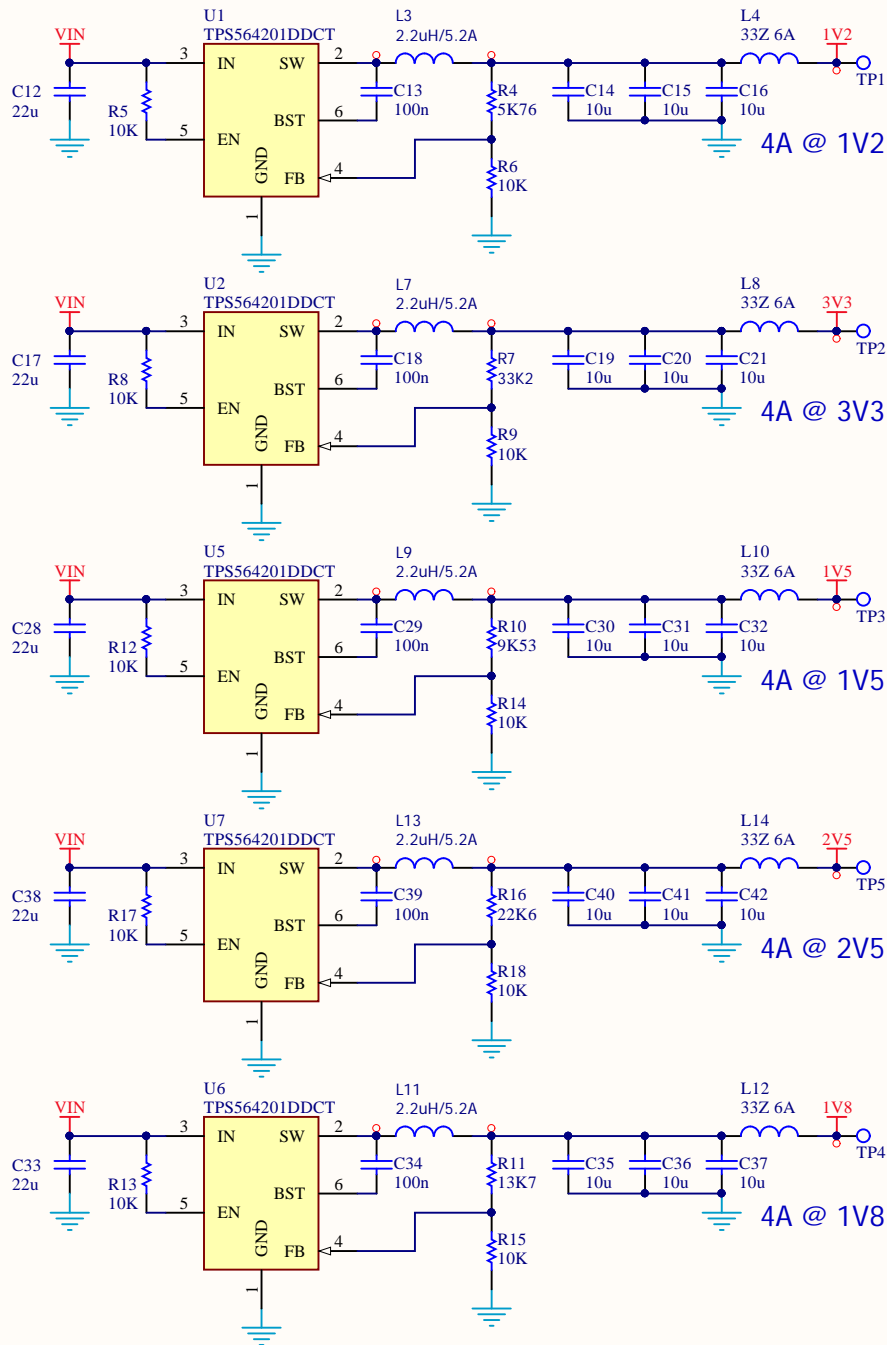


		42 Rue Monge 75005 PARIS France contact@lambdaconcept.com
Title Ecpix-5		
Size A3	Number Top Level	Revision R02
Date: 3.6.2020	CheckedBy: Ramtin Amin	Sheet 1 of 1
File: D:_RATKO__TopLevel.SchDoc	Drawn By: Radomir Dzakula	



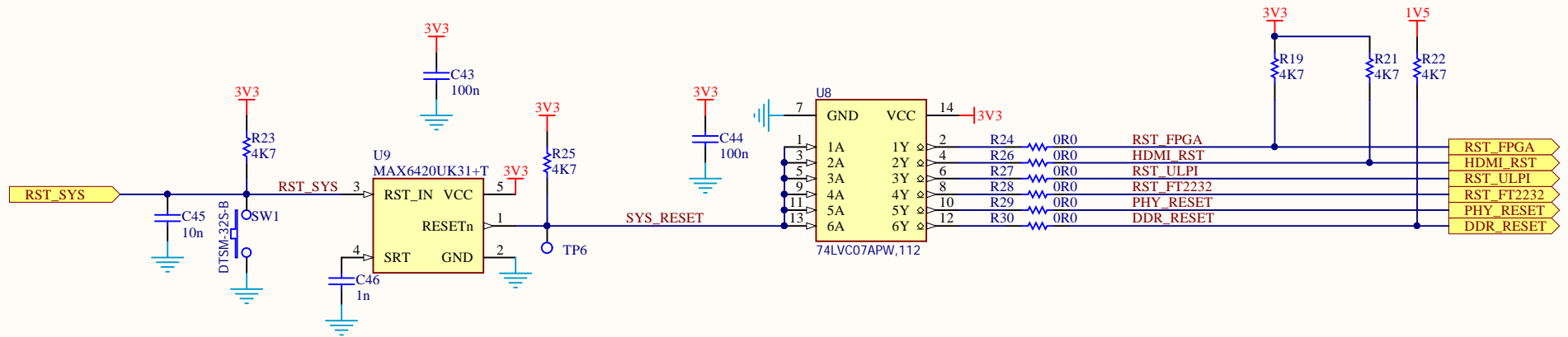
LambdaConcept


42 Rue Monge
75005 PARIS
France
contact@lambdaconcept.com

Title: Ecpix-5

Size: A4	Number: Power Supply	Revision: R02
Date: 3.6.2020	CheckedBy: Ramtin Amin	Sheet 2 of 10f
File: D:_RATKO_\...Power Supply.SchDoc	Drawn By: Radomir Dzakula	

RESET

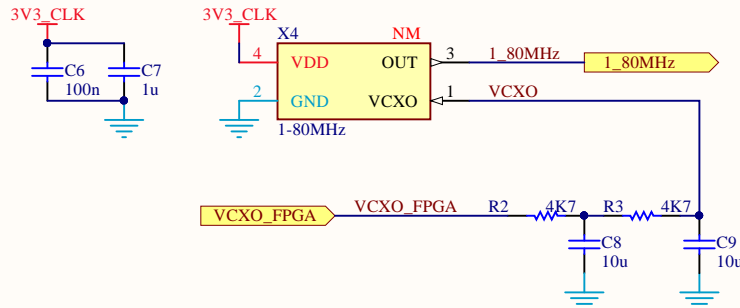
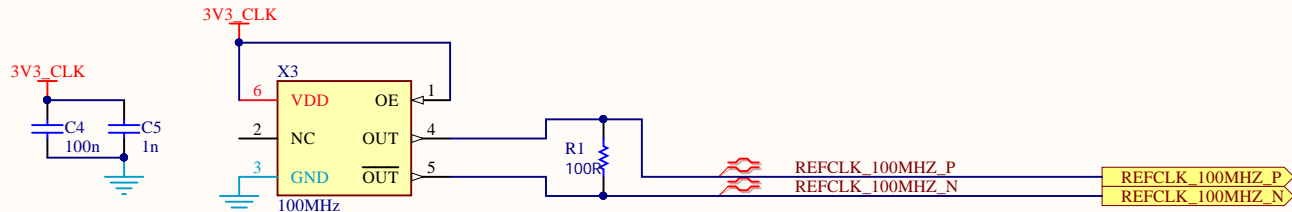
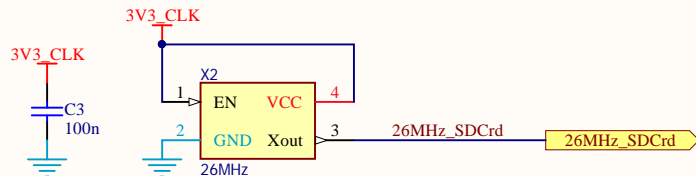
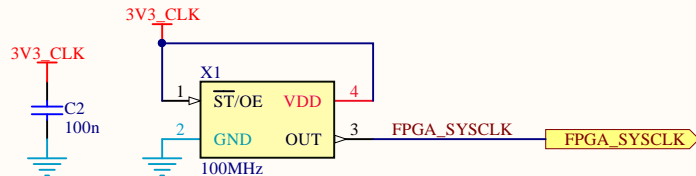
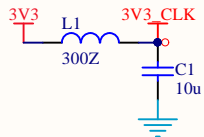




42 Rue Monge
75005 PARIS
France
contact@lambdaconcept.com

Title **Ecpix-5**

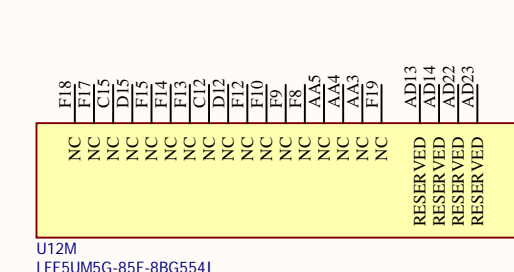
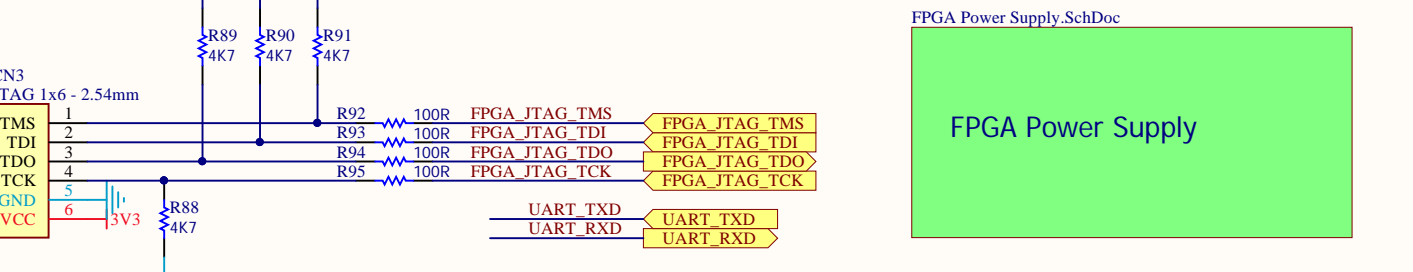
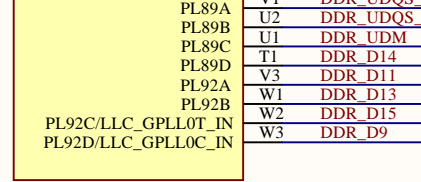
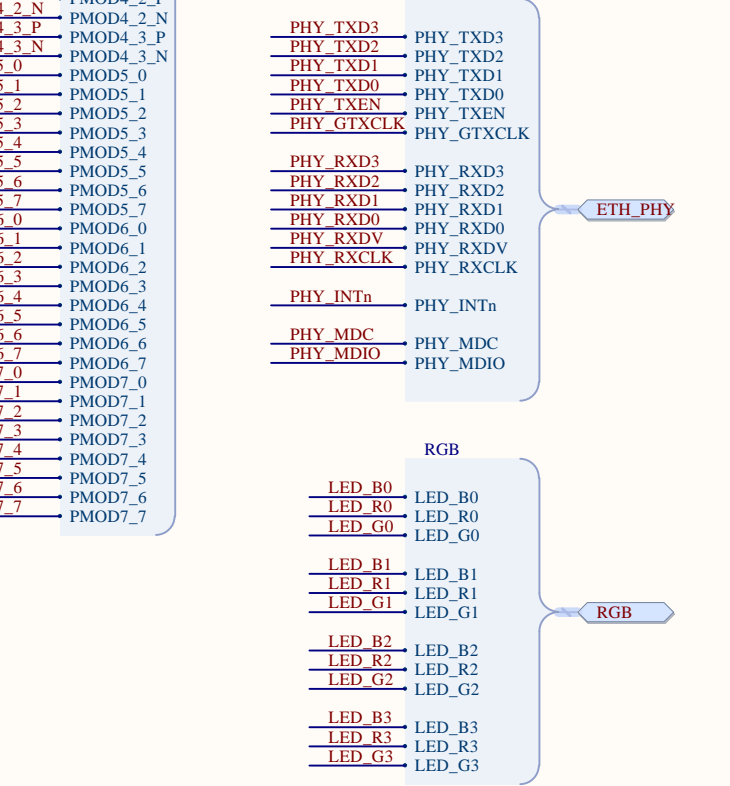
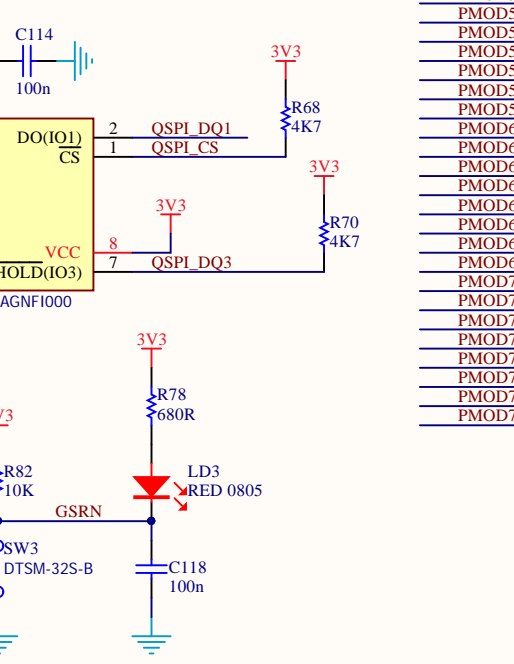
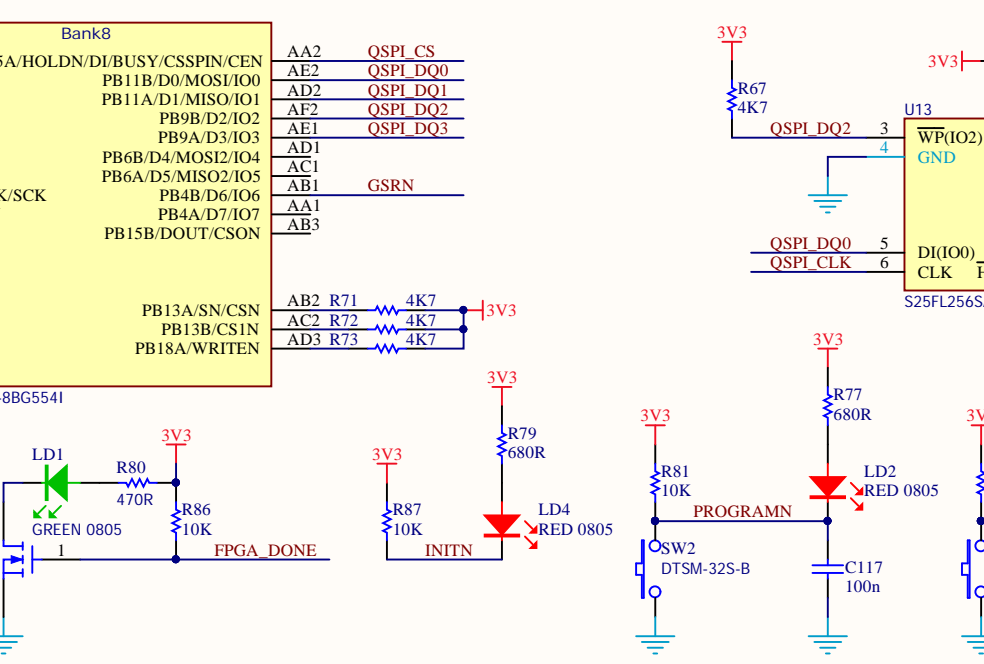
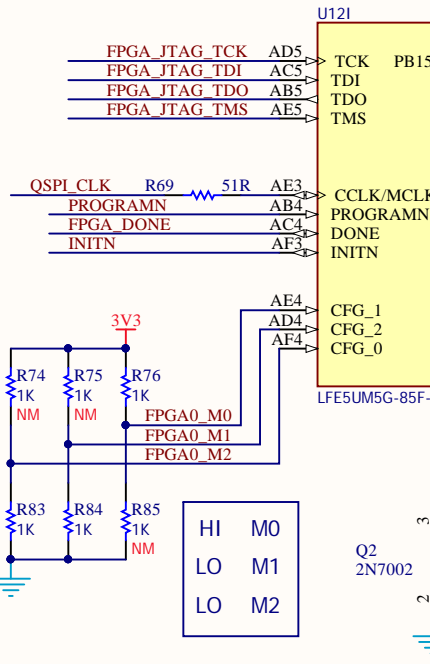
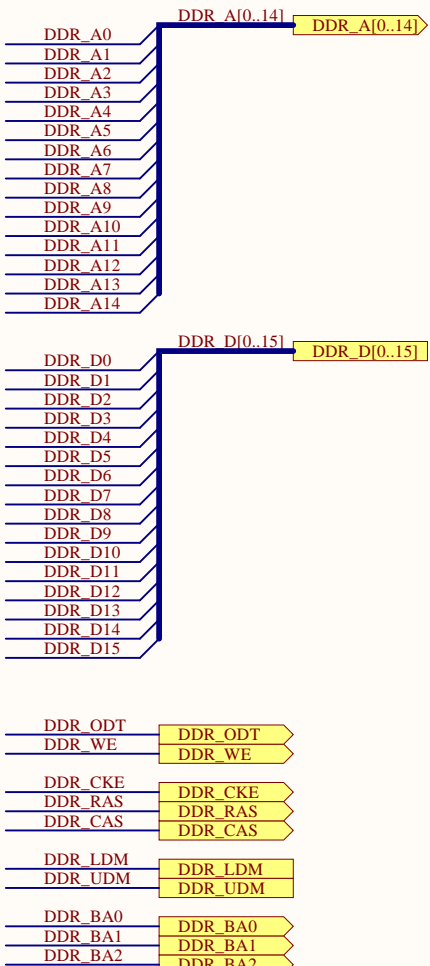
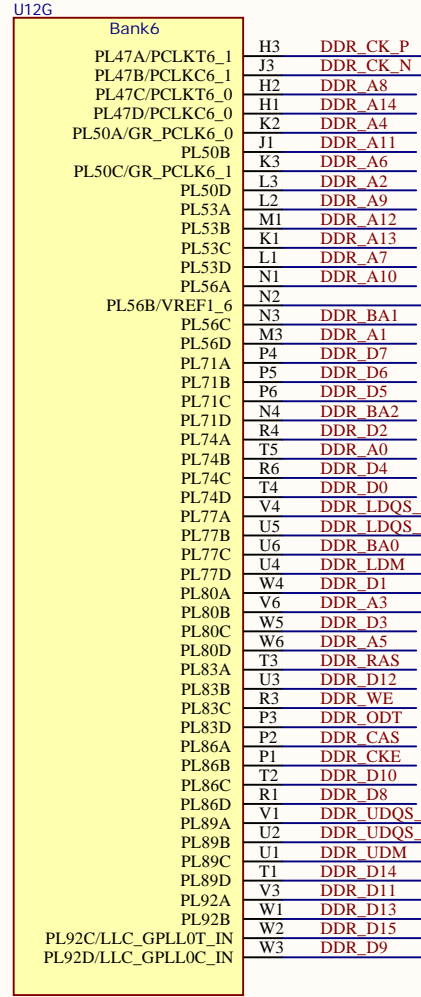
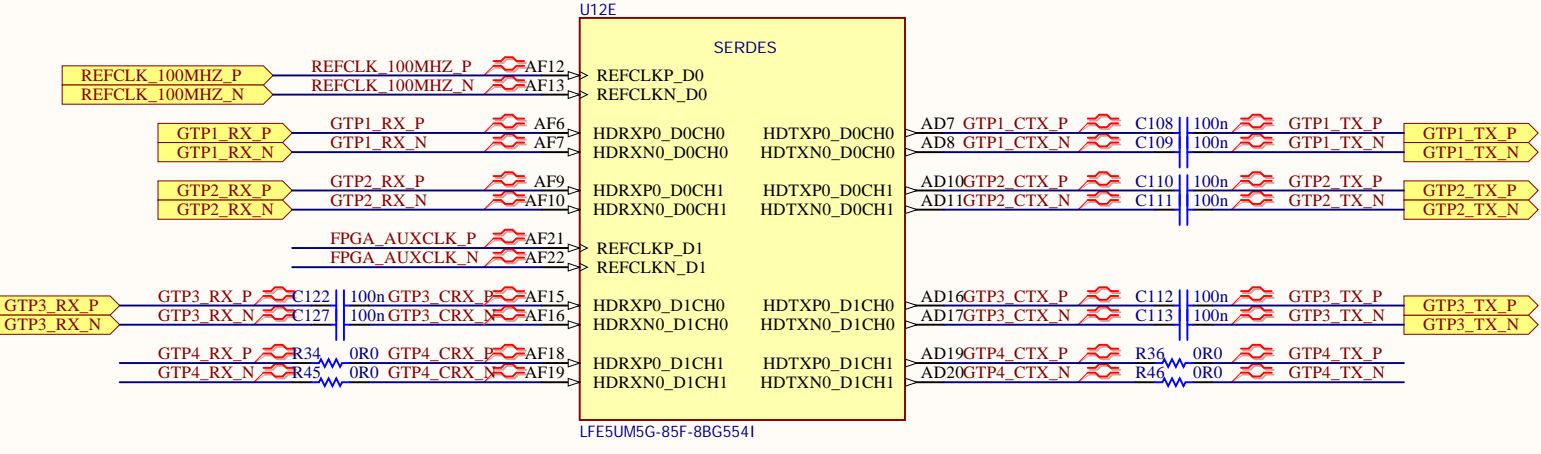
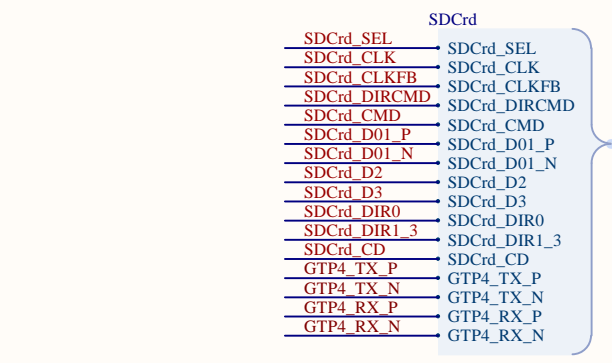
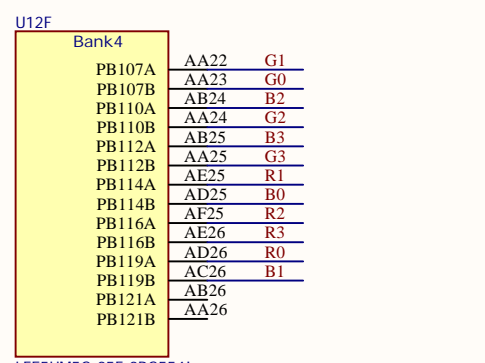
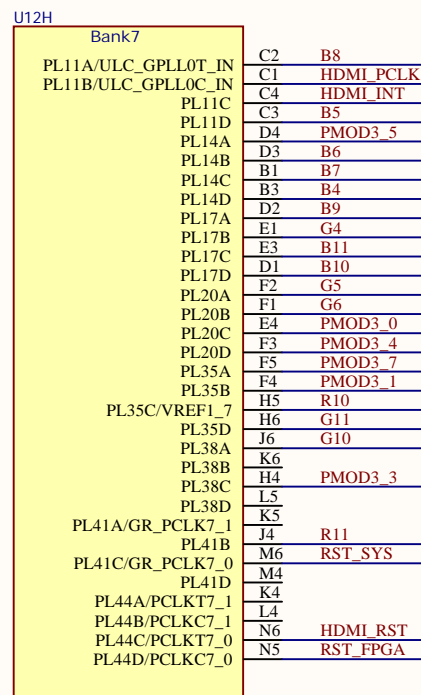
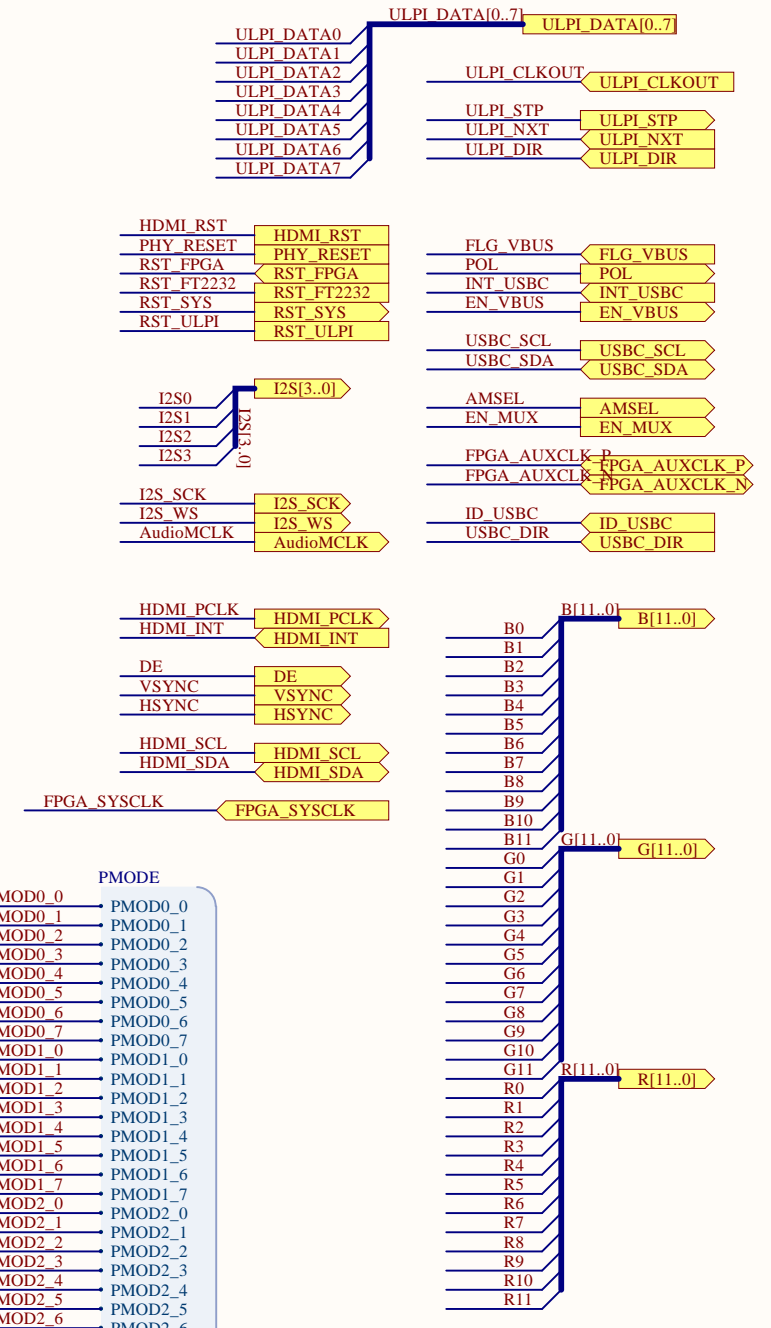
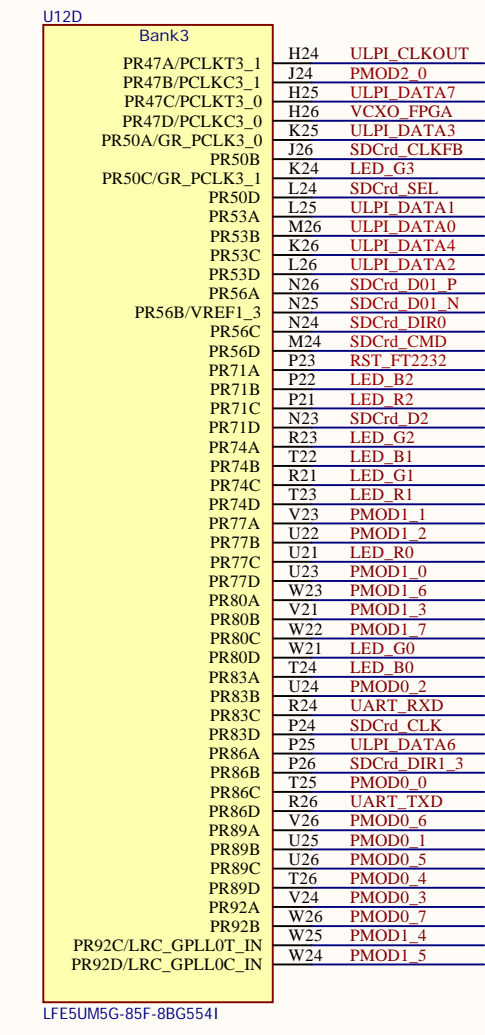
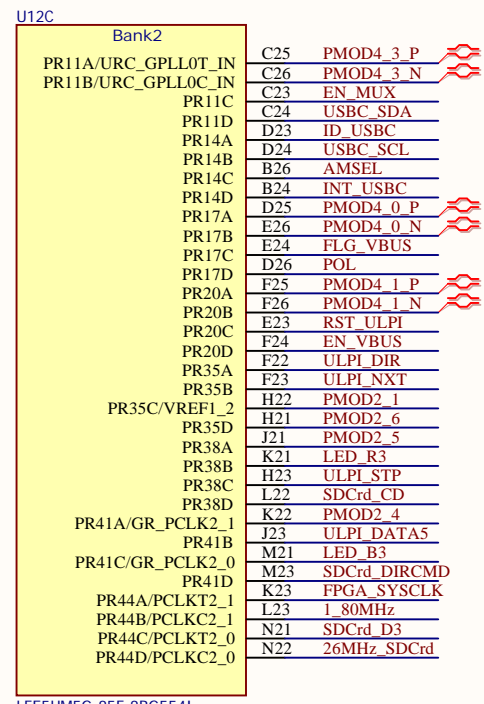
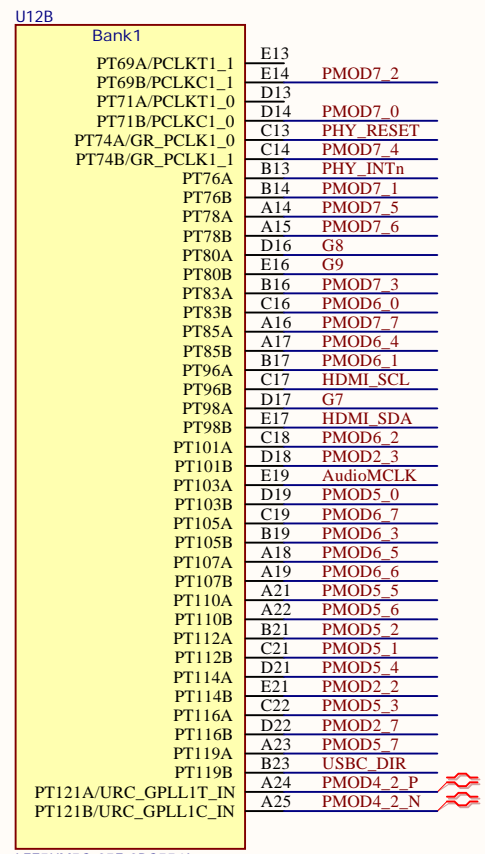
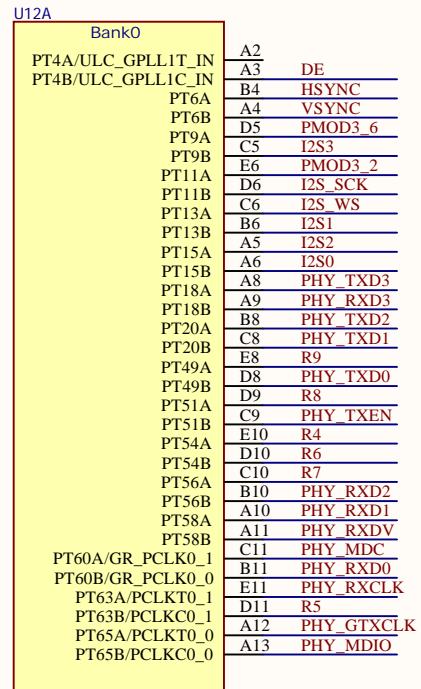
Size A4	Number Reset	Revision R02
Date: 3.6.2020	CheckedBy: Ramtin Amin	Sheet 3 10f
File: D:_RATKO_\..\Reset.SchDoc	Drawn By: Radomir Dzakula	



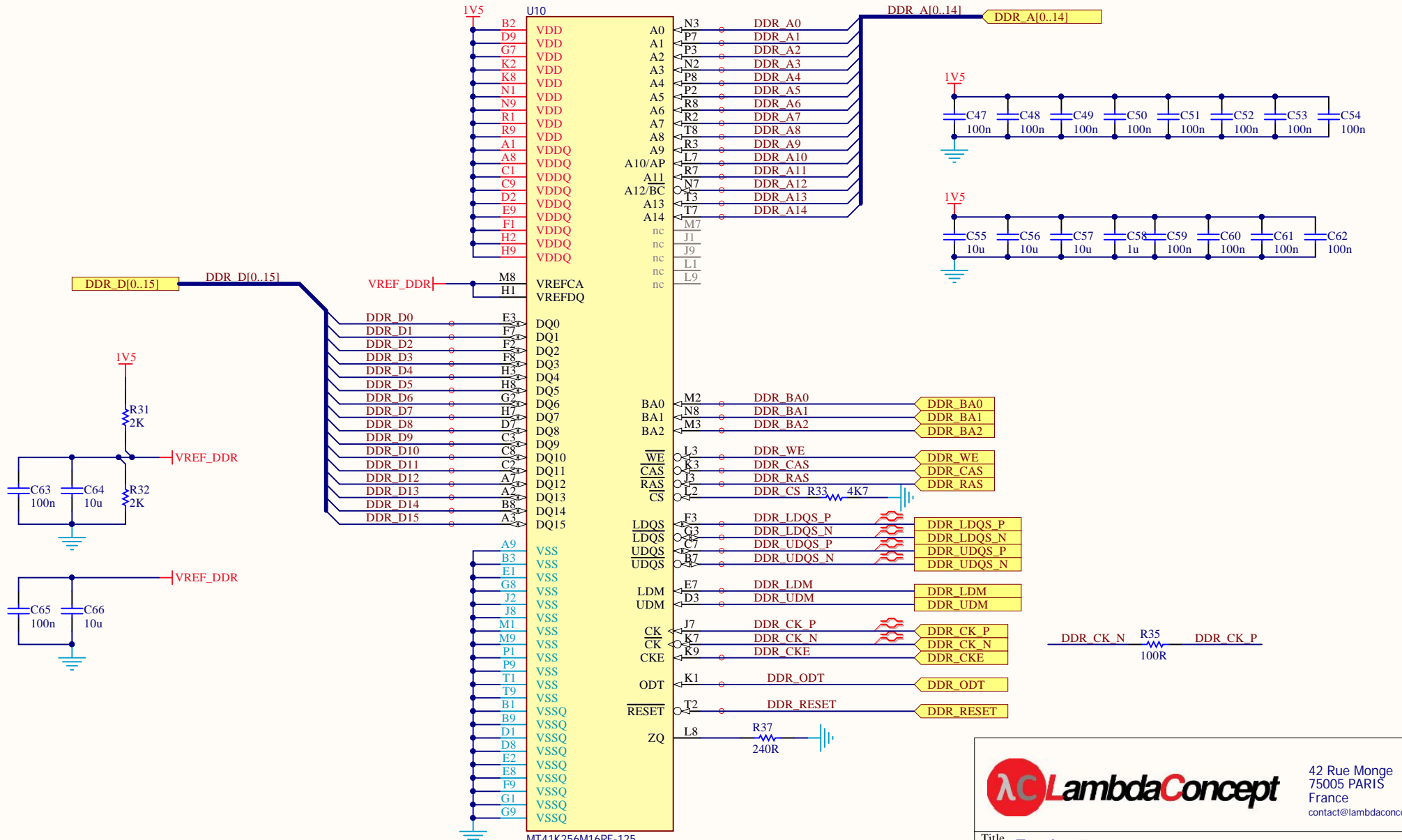
LC LambdaConcept 42 Rue Monge
75005 PARIS
France
contact@lambdaconcept.com

Title **Ecpix-5**

Size A4	Number Clock	Revision R02
Date: 3.6.2020	CheckedBy: Ramtin Amin	Sheet 4 10f
File: D:_RATKO_\...\Clock.SchDoc	Drawn By: Radomir Dzakula	



Project information including company logo (Lambda Concept), title (Ecpix-5), size (A2), number (FPGA), revision (R02), date (3.6.2020), and author (Radomir Drakula).

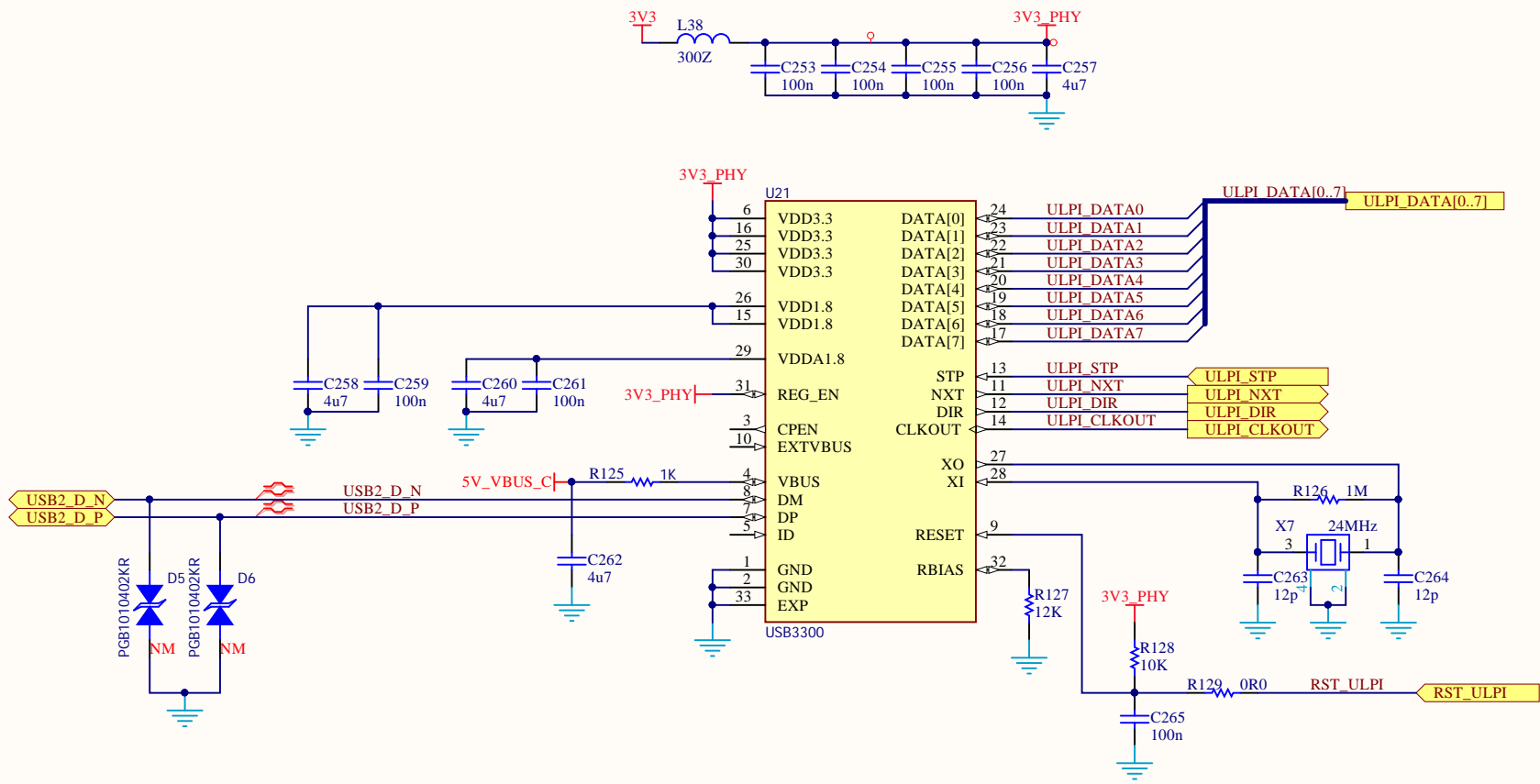



MT41K256M16RE-125

LambdaConcept
 42 Rue Monge
 75005 PARIS
 France
 contact@lambdaconcept.com

Title: **Ecpix-5**

Size: A4	Number: DDR3	Revision: R02
Date: 3.6.2020	CheckedBy: Ramtin Amin	Sheet 7 of 10f
File: D:_RATKO__DDR3.SchDoc	Drawn By: Radomir Dzakula	

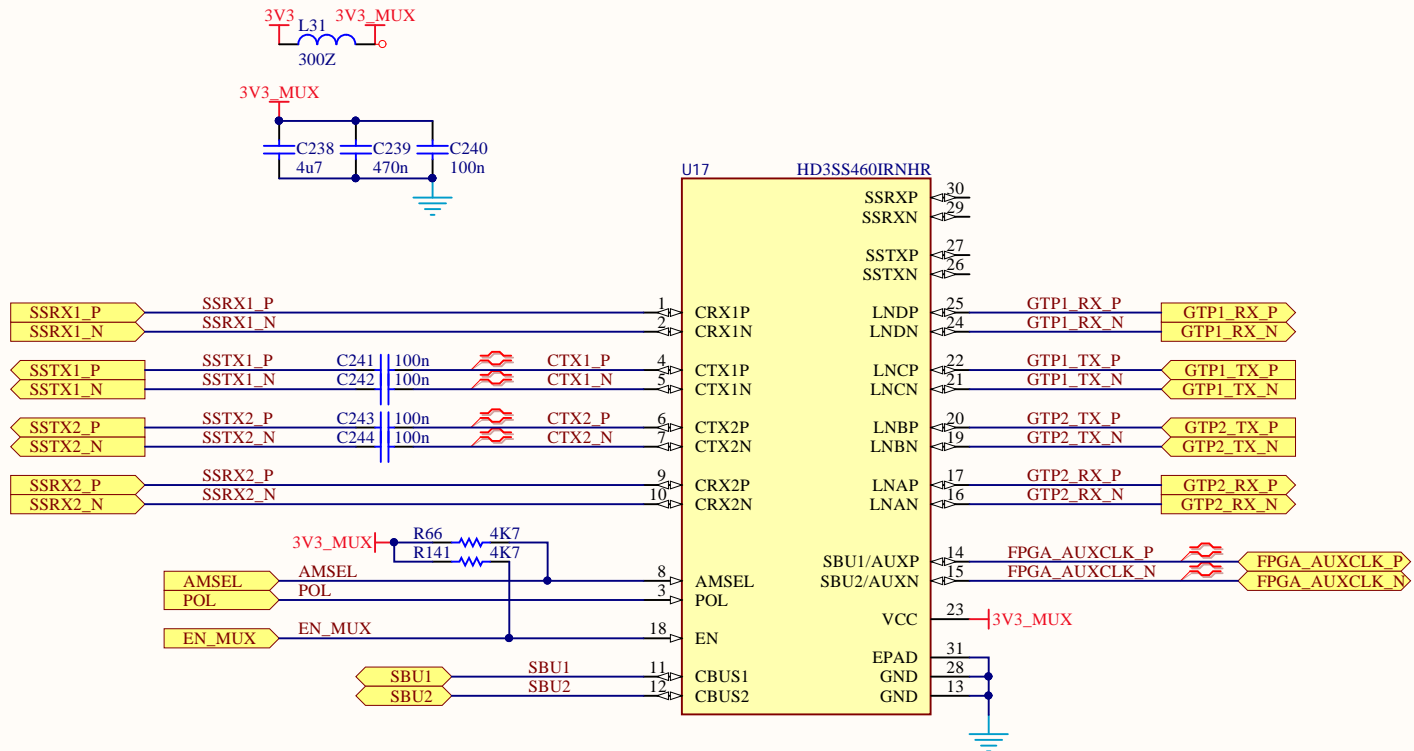



 42 Rue Monge
 75005 PARIS
 France
 contact@lambdaconcept.com

Title **Ecpix-5**

Size	Number	Revision
A4	ULPI	R02

Date:	3.6.2020	CheckedBy: Ramtin Amin	Sheet 8	10f
File:	D:_RATKO_\...\ULPI.SchDoc		Drawn By: Radomir Dzakula	

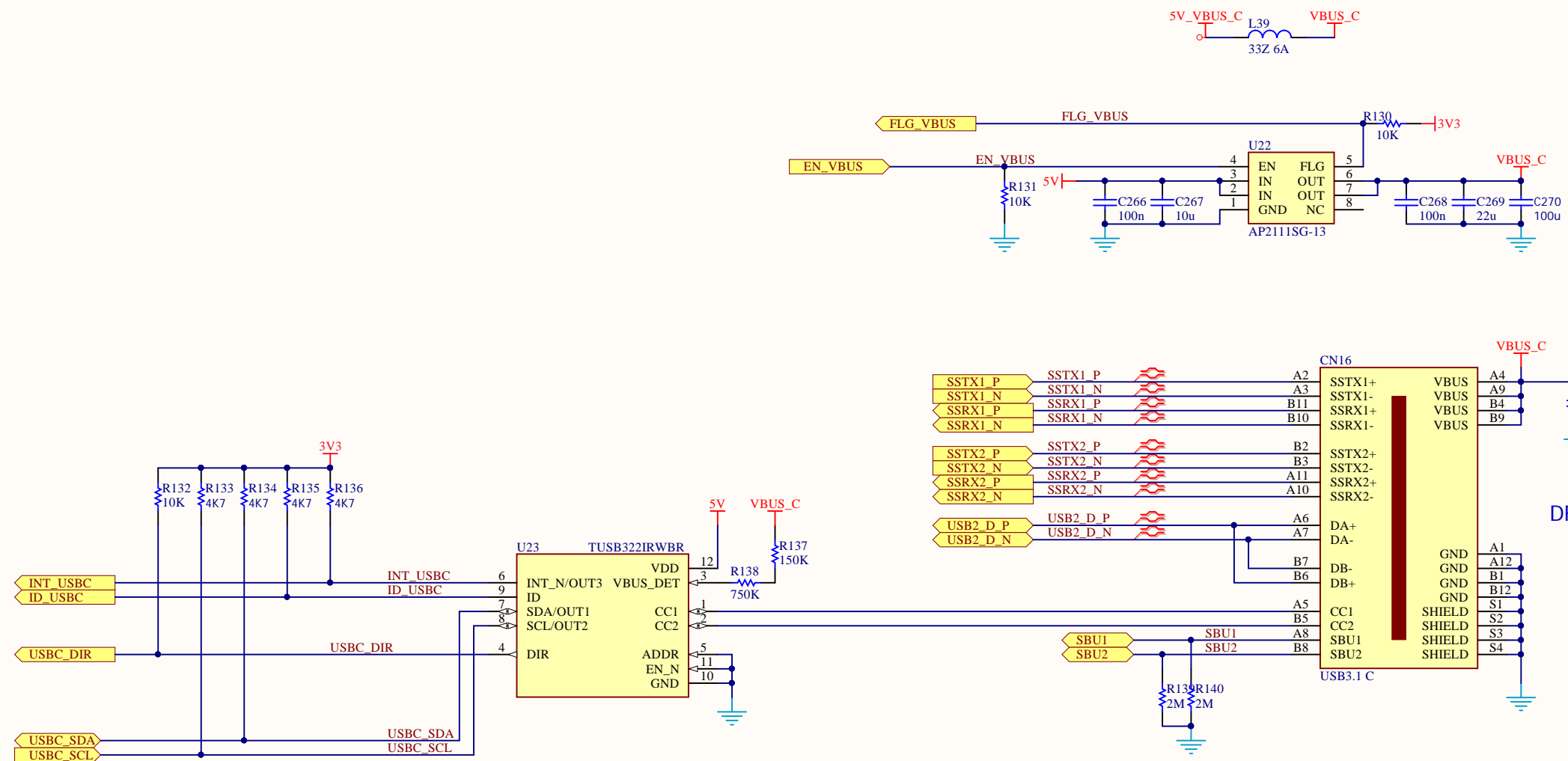



42 Rue Monge
75005 PARIS
France
contact@lambdaconcept.com

Title Ecpix-5

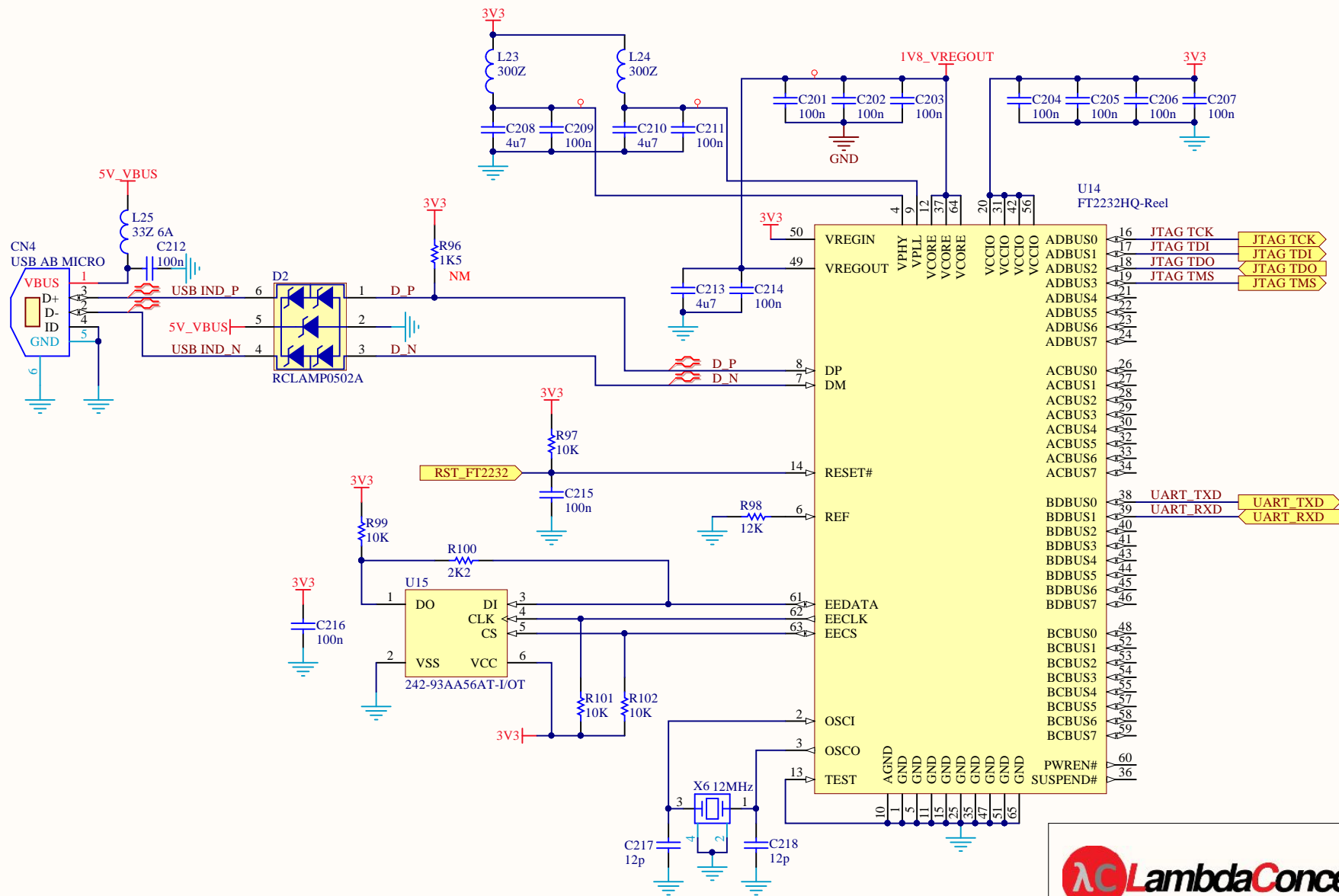
Size A4	Number HighSpeed MUX	Revision R02
------------	-------------------------	-----------------

Date: 3.6.2020 | CheckedBy: Ramtin Amin | Sheet 9 | 10f
File: D:_RATKO_\...HighSpeed MUX.SchDoc | Drawn By: Radomir Dzakula



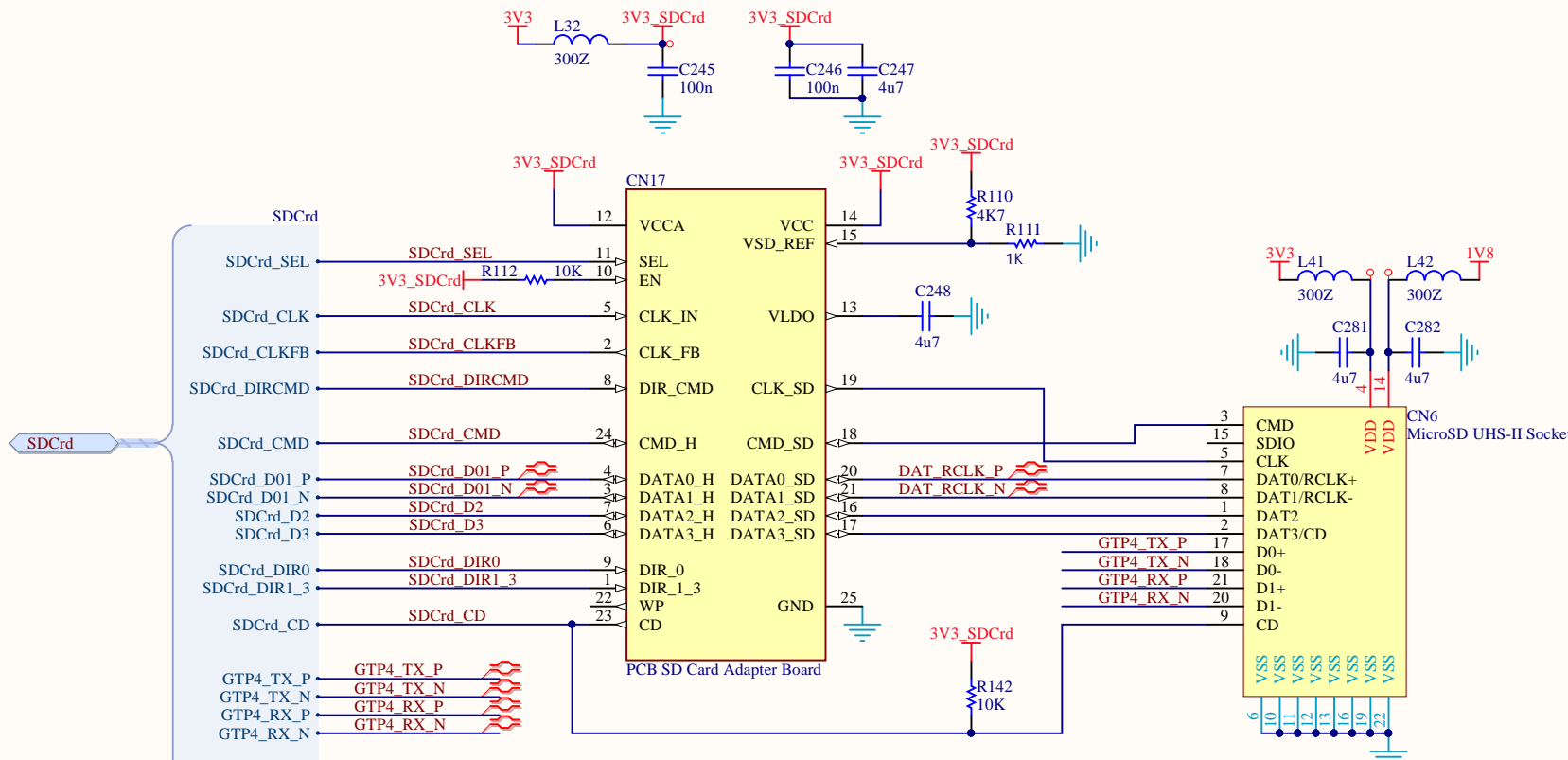

 42 Rue Monge
 75005 PARIS
 France
 contact@lambdaconcept.com


Title		Ecpix-5
Size	Number	Revision
A3	USB-C	R02
Date:	3.6.2020	CheckedBy: Ramtin Amin
File:	D:_RATKO_\...USB-C.SchDoc	Sheet 10 of 10
		Drawn By: Radomir Dzakula




 42 Rue Monge
 75005 PARIS
 France
 contact@lambdaconcept.com

Title Ecpix-5		
Size A4	Number FT2232	Revision R02
Date: 3.6.2020	CheckedBy: Ramtin Amin	Sheet 11 10f
File: D:_RATKO__FT2232.SchDoc	Drawn By: Radomir Dzakula	

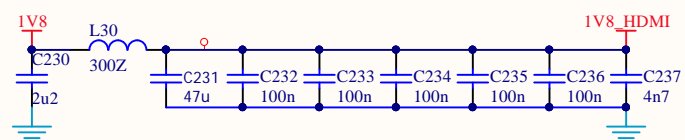
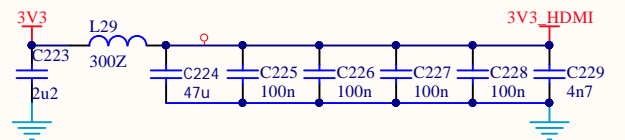
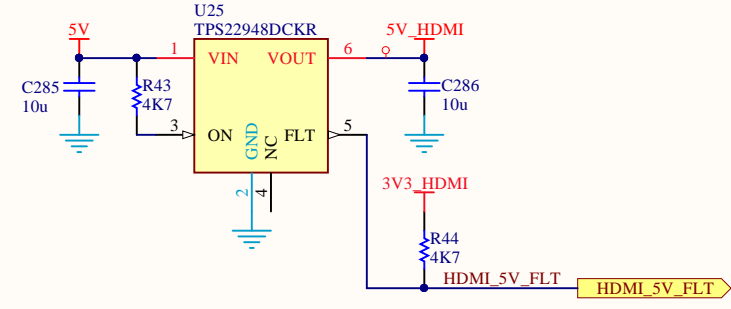
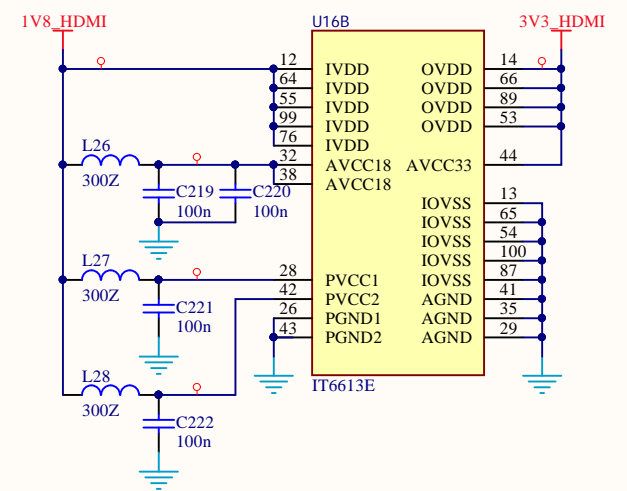
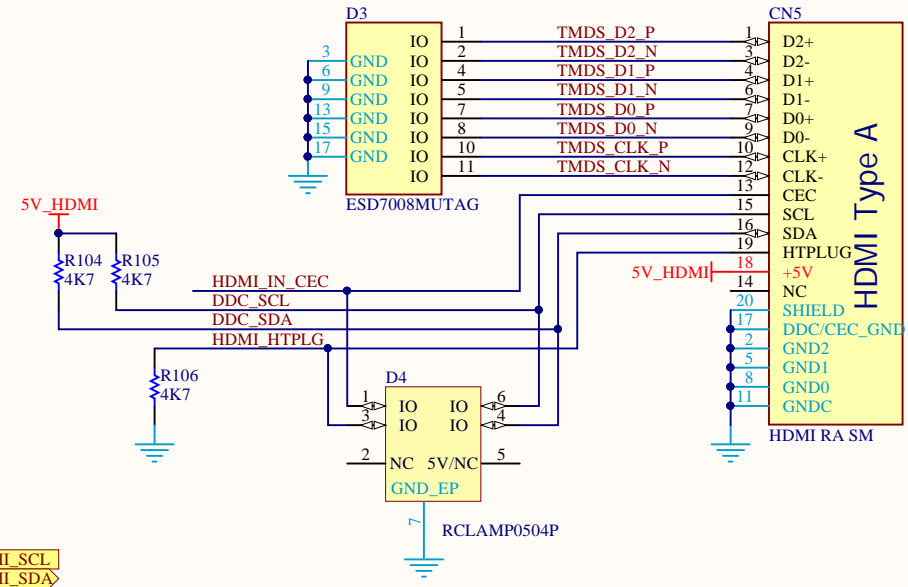
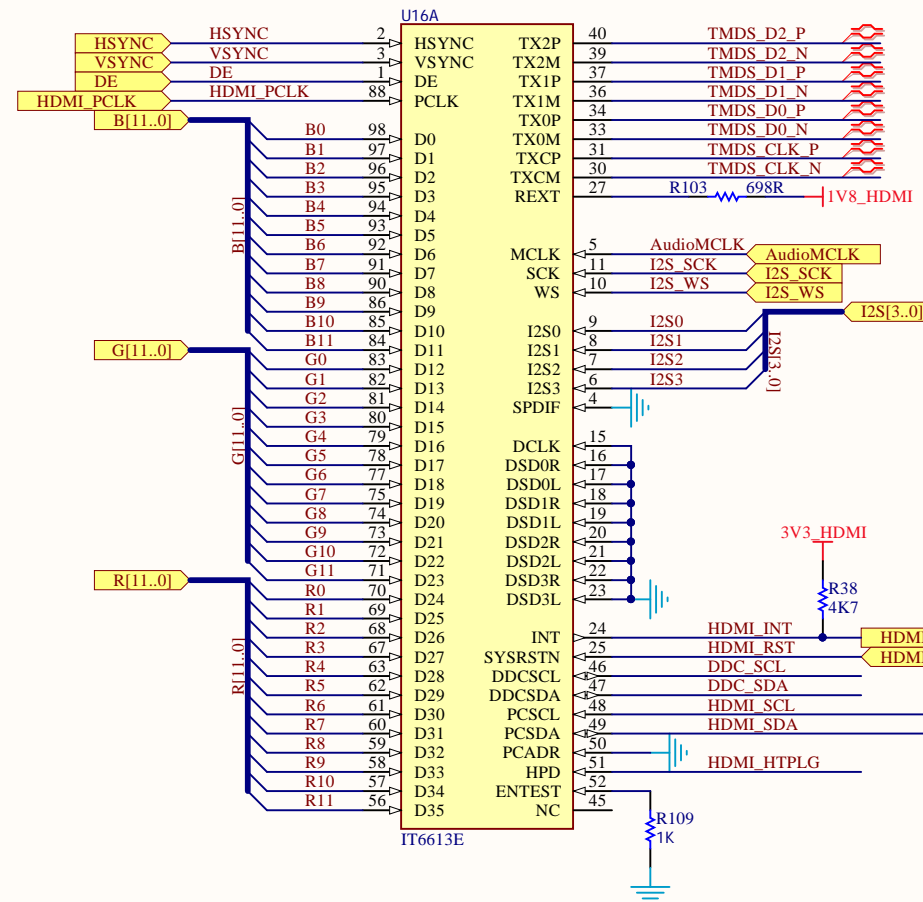



 42 Rue Monge
 75005 PARIS
 France
 contact@lambdaconcept.com

Title **Ecpix-5**

Size	Number	Revision
A4	MicroSD Card	R02

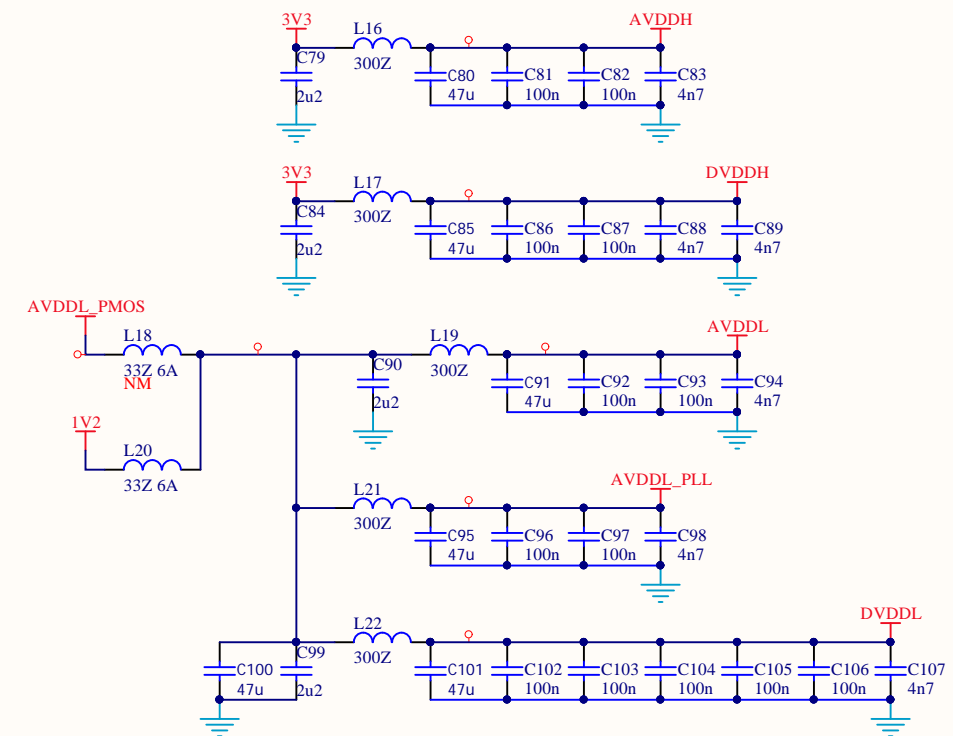
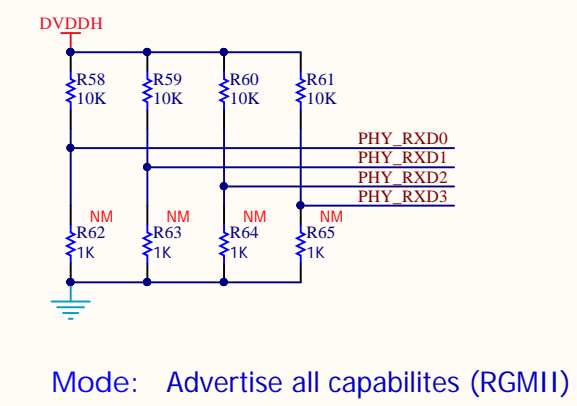
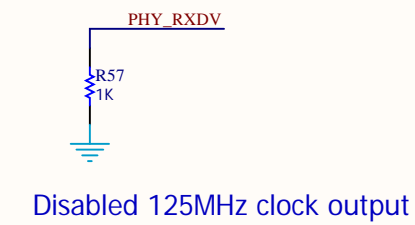
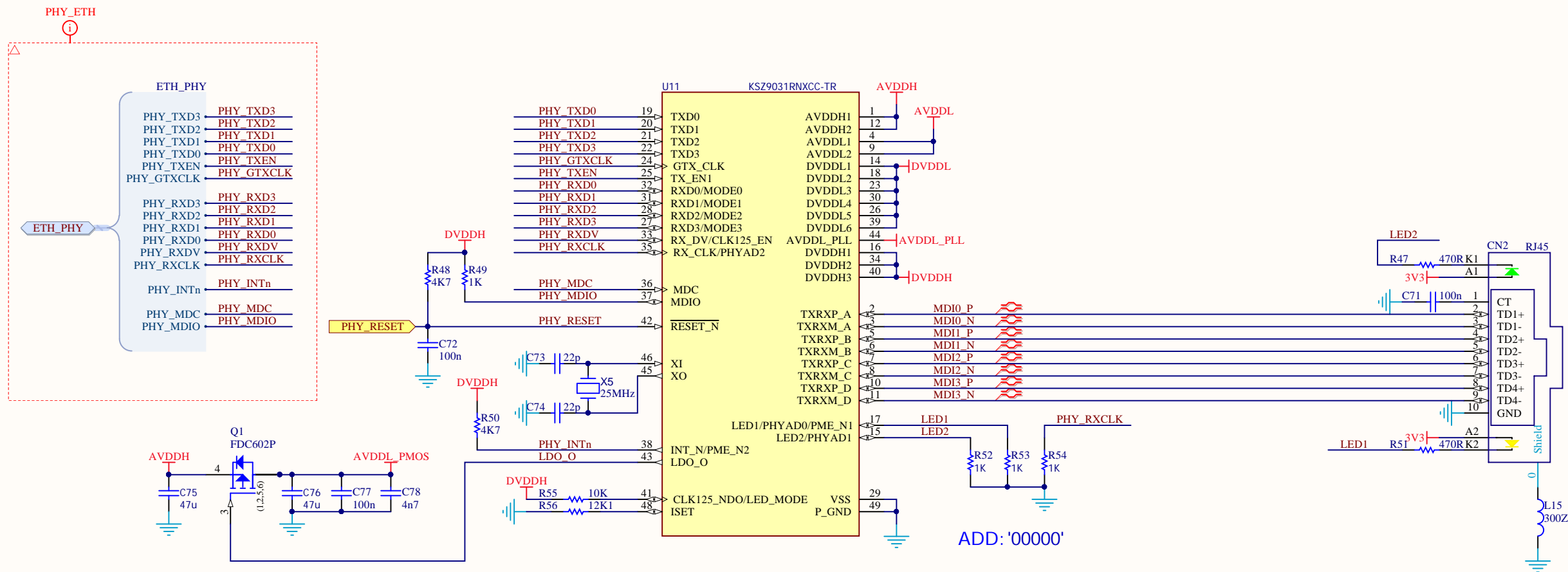
Date:	3.6.2020	CheckedBy: Ramtin Amin	Sheet 12	10f
File:	D:_RATKO_\..\MicroSD.SchDoc		Drawn By: Radomir Dzakula	



LambdaConcept 42 Rue Monge
75005 PARIS
France
contact@lambdaconcept.com

Title: Ecpix-5

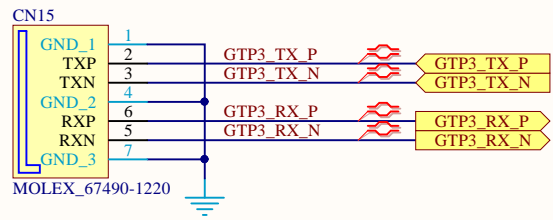
Size: A3	Number: HDMI	Revision: R02
Date: 3.6.2020	CheckedBy: Ramtin Amin	Sheet 13 of 19
File: D:_RATKO_\...\HDMI.SchDoc	Drawn By: Radomir Dzakula	




LambdaConcept
 42 Rue Monge
 75005 PARIS
 France
 contact@lambdaconcept.com

Title: Ecpix-5

Size: A3	Number: Ethernet PHY	Revision: R02
Date: 3.6.2020	CheckedBy: Ramtin Amin	Sheet 14 of 19
File: D:_RATKO__ETH PHY.SchDoc	Drawn By: Radomir Dzakula	





42 Rue Monge
75005 PARIS
France
contact@lambdaconcept.com

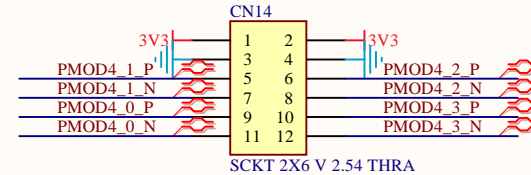
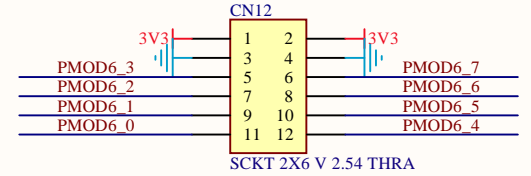
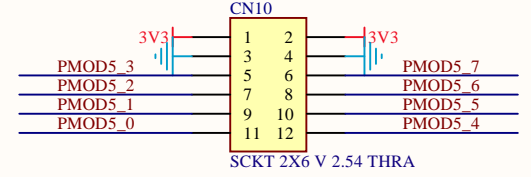
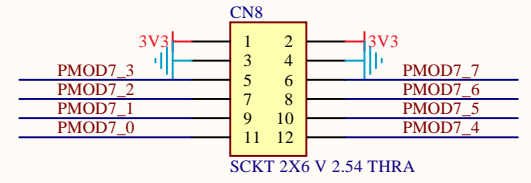
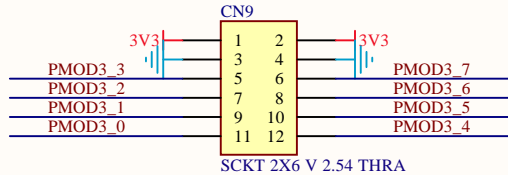
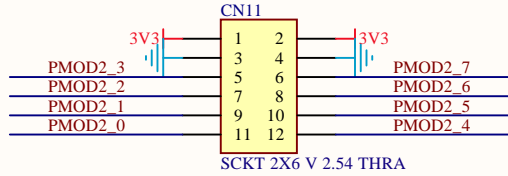
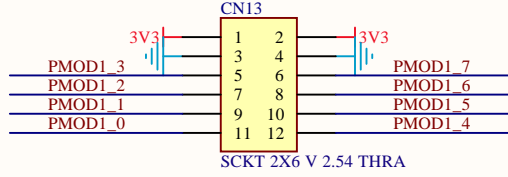
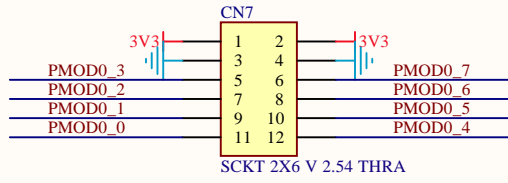
Title **Ecpix-5**


Size A4	Number SATA	Revision R02
Date: 3.6.2020	CheckedBy: Ramtin Amin	Sheet 15 of 10f
File: D:_RATKO_\..\SATA.SchDoc	Drawn By: Radomir Dzakula	

PMODE

- PMOD0_0
- PMOD0_1
- PMOD0_2
- PMOD0_3
- PMOD0_4
- PMOD0_5
- PMOD0_6
- PMOD0_7
- PMOD1_0
- PMOD1_1
- PMOD1_2
- PMOD1_3
- PMOD1_4
- PMOD1_5
- PMOD1_6
- PMOD1_7
- PMOD2_0
- PMOD2_1
- PMOD2_2
- PMOD2_3
- PMOD2_4
- PMOD2_5
- PMOD2_6
- PMOD2_7
- PMOD3_0
- PMOD3_1
- PMOD3_2
- PMOD3_3
- PMOD3_4
- PMOD3_5
- PMOD3_6
- PMOD3_7
- PMOD4_0_P
- PMOD4_0_N
- PMOD4_1_P
- PMOD4_1_N
- PMOD4_2_P
- PMOD4_2_N
- PMOD4_3_P
- PMOD4_3_N
- PMOD5_0
- PMOD5_1
- PMOD5_2
- PMOD5_3
- PMOD5_4
- PMOD5_5
- PMOD5_6
- PMOD5_7
- PMOD6_0
- PMOD6_1
- PMOD6_2
- PMOD6_3
- PMOD6_4
- PMOD6_5
- PMOD6_6
- PMOD6_7
- PMOD7_0
- PMOD7_1
- PMOD7_2
- PMOD7_3
- PMOD7_4
- PMOD7_5
- PMOD7_6
- PMOD7_7

PMODE

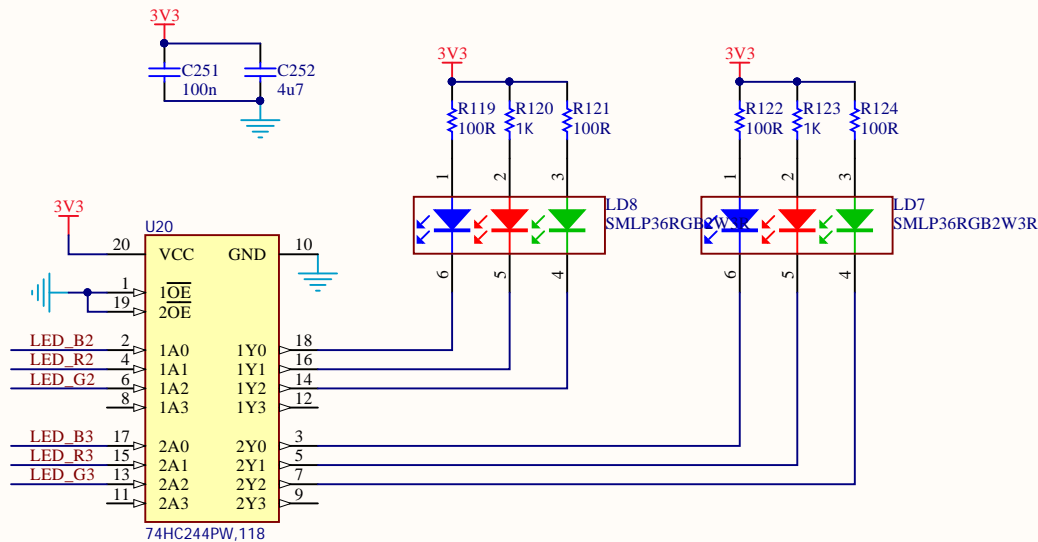
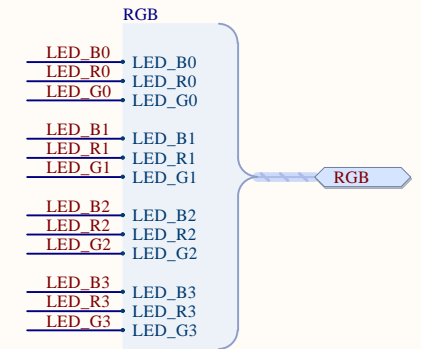
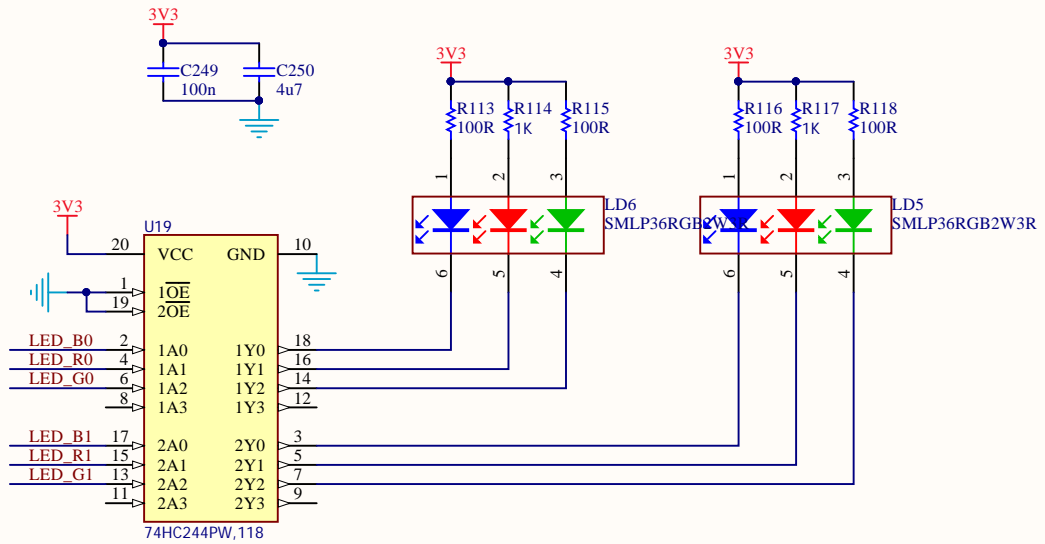




42 Rue Monge
75005 PARIS
France
contact@lambdaconcept.com

Title **Ecpix-5**

Size A4	Number PMOD Connectors	Revision R02
Date: 3.6.2020	CheckedBy: Ramtin Amin	Sheet 16 10f
File: D:\RATKO\PMOD Connectors.Sch Drawn By: Radomir Dzakula		



LambdaConcept 42 Rue Monge
75005 PARIS
France
contact@lambdaconcept.com

Title **Ecpix-5**

Size A4	Number RGB LED	Revision R02
Date: 3.6.2020	CheckedBy: Ramtin Amin	Sheet 17 10f
File: D:_RATKO__\.RGB LED.SchDoc	Drawn By: Radomir Dzakula	